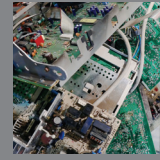
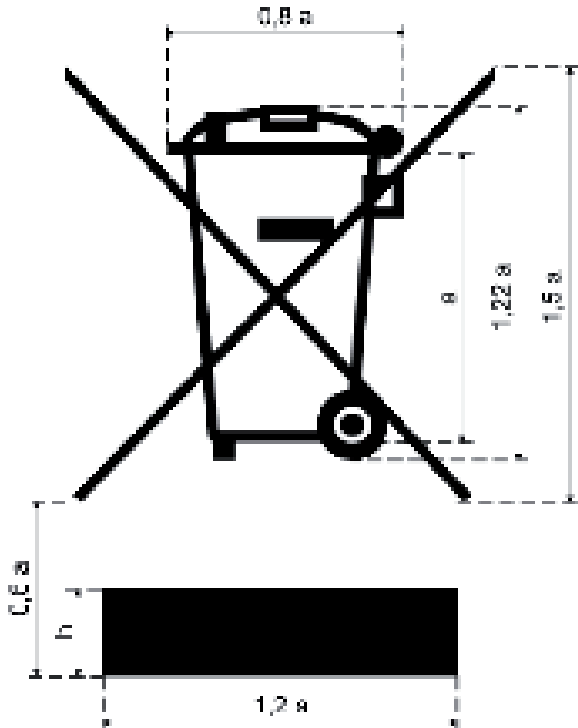


# EEE Product Markings



## The Crossed Out Wheeled Bin Symbol and the Date Mark



The crossed out wheeled bin symbol is an instruction to the end-user not to dispose of the product in the bin and to find a route to recycle this equipment. Its design is to facilitate the separate collection of WEEE. All 'producers' must mark their products with this symbol.

- the mark must be visible, legible, and indelible and must be on the product. In exceptional cases, where the size or function of the product prevents this symbol being placed on the product, it may be displayed on the packaging, instructions, manual or warranty
- the black bar indicates that the product was placed onto the market after 13 August 2005, and acts as the producer's date mark
- British Standard BS EN50419 (2006) defines the crossed out wheeled bin and date markings and can be purchased from the British Standards Institute

## Producer Identification Mark

All 'producers' must mark their EEE so they can be easily identified as the producer for the equipment that they supply.

This can take the form of a brand name, trademark, logo, company registration number or other suitable means. This mark must be visible, legible and indelible.

This unique mark will be recorded in the UK's Register of Producers. You must ensure that your EEE carries one of the unique marks and that you have registered with Valpak when you completed your data submission form.

## Further Information

For further guidance on product marking requirements, please refer to the **CENLEC Report**, which is available to download from the Valpak website [www.valpak.co.uk](http://www.valpak.co.uk)

